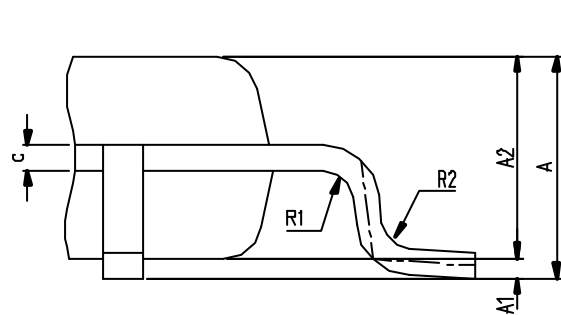
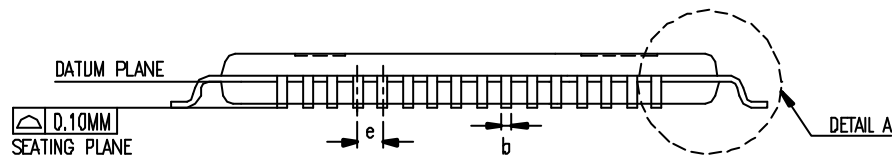
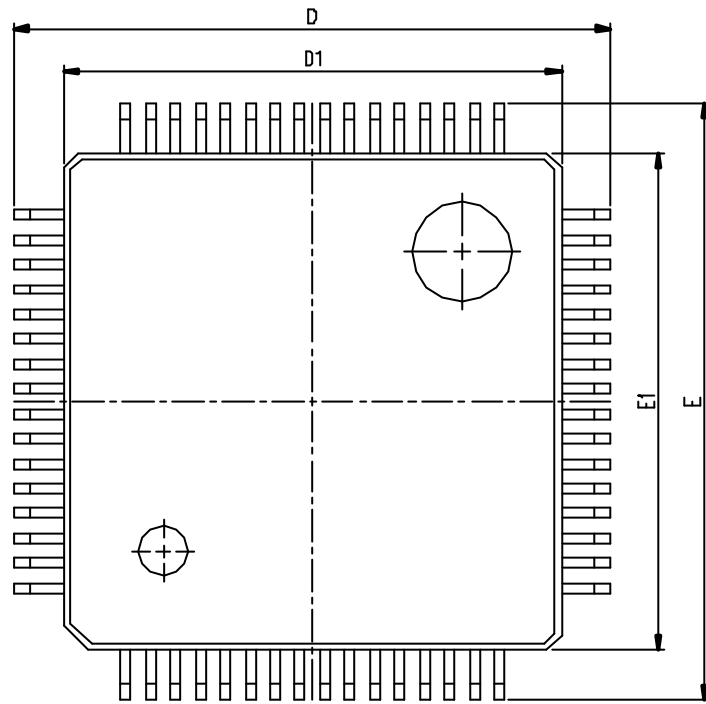
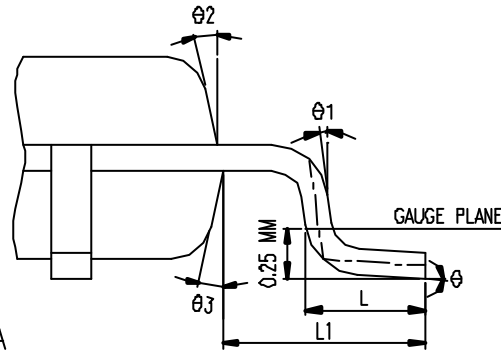


REV.	DESCRIPTION	BY	DATE
ORIG.	DRAWING ISSUE	SANDY CHEN	05.22.2008



DETAIL A



SYMBOL	DIMENSION IN MM			DIMENSION IN INCH		
	MIN.	NOM	MAX.	MIN	NOM	MAX
A			1.20			0.047
A1	0.05		0.15	0.002		0.006
A2	0.95	1.00	1.05	0.037	0.039	0.041
b	0.17	0.22	0.27	0.007	0.009	0.011
c	0.09		0.20	0.004		0.008
e	0.50 BASIC			0.020 BASIC		
D	12.00 BASIC			D.472 BASIC		
D1	10.00 BASIC			0.394 BASIC		
E	12.00 BASIC			D.472 BASIC		
E1	10.00 BASIC			0.394 BASIC		
L	0.45	0.60	0.75	0.018	0.024	0.030
L1	1.00 REF.			0.039 REF.		
R1	0.08			0.003		
R2	0.08		0.20	0.003		0.008
theta	0°	3.5°	7°	0°	3.5°	7°
theta 1	0°			0°		
theta 2	11°	12°	13°	11°	12°	13°
theta 3	11°	12°	13°	11°	12°	13°
JEDEC	MS-026 (ACD)					

* NOTES : DIMENSIONS " D1 " AND " E1 " DO NOT INCLUDE MOLD PROTRUSION. ALLOWABLE PROTRUSION IS 0.25 mm PER SIDE.
 " D1 " AND " E1 " ARE MAXIMUM PLASTIC BODY SIZE DIMENSIONS INCLUDING MOLD MISMATCH.

CWT Chant World Technology Inc.	<input type="checkbox"/>	<input checked="" type="checkbox"/>
	XXXXX ±0.005	ANGULAR ±
TITLE TQFP 64L PACKAGE OUTLINE BODY SIZE · 10 X 10 MM	XXXXX ±0.005	ROUGHNESS
	XXXXX ±0.05	SCALE
	XX. ±0.2	
DESIGNED SMILE KUO 05.22.2008	UNIT	QTY
CHECKED SANDY CHEN 05.22.2008	FILE NAME : PPFO64P1	A3
APPROVED SANDY CHEN 05.22.2008	DWG. NO.: CW-PP-004A	